

DESCRIPTION

- SMD LED technology for indoor installation.
- Hours, minutes and seconds display.
- Fixed or alternate time with date or week number display or timer display or temperature (probe integrated in the clock) or chronometer display (optional chronometer keyboard - count up or countdown).
- Height of digits 5 cm, optimal viewing distance: 20 metres.
- Angle of vision: 120°.
- LED colours: red, green, yellow, blue and white.
- Models: independent, impulse, wireless DCF, wireless DHF, AFNOR, NTP/ETH and NTP/Wi-Fi.



STANDARDS

- EMC: EN55032, EN55024.
- LVD: EN60950.
- RED (radio models): EN301-489-3.
- IEEE 802.11 b/g (NTP/Wi-Fi model).

GENERAL FEATURES

- **Adjustable brightness**..... 4 levels.
- **Display mode**..... 12 or 24 hour.
- **Eco mode**..... Programmable energy saving or predefined over a time period.
- **Time change**..... Automatic summer/winter time changeover and perpetual calendar.
- **Time base backup**.....
 - Independent model: 15 days in case of power failure.
 - Impulse model: in case of power failure, data saving and impulses reception without battery.
 - Synchronised models: at each start the clocks wait for the synchronisation signal.
- **Time accuracy**..... 0.2 second/day (except NTP model: precision dependent on the time server).
- **Operation**..... Silent.
- **Digit**..... 7 segments with 3 LEDs each.
- **Hours and minutes separating**..... Colon made of LEDs.
- **Configuration**..... 2 capacitive buttons.
- **NTP/ETH and NTP/Wi-Fi models**.....
 - Synchronisation unicast, multicast and by DHCP.
 - Advanced configuration from the embedded web server.

MECHANICAL FEATURES

- **Construction**..... PC/ABS black (IP30, IK02) and PMMA (poly methyl methacrylate) cristal.
- **Operating temperature range**..... -5 to +55°C.
- **Weight**..... 0.49 Kg.
- **Dimensions**..... See on the back.

ELECTRICAL FEATURES

- **Power supply**.....
 - Independent, impulse, AFNOR, DHF and NTP/Wi-Fi models: 100-240VAC.
 - Wireless DCF model: 230VAC.
 - NTP/ETH model: PoE (Power over Ethernet) – class 0.
- **Consumption (max)**.....
 - 100-240 VAC ; 250-150 mA.
 - 230 VAC ; 35 mA.
 - NTP/ETH receiver ; 3 W (red, green, yellow) ; 1.7 W (blue, white).
- **Electric protection**.....
 - NTP/ETH model: Class 3.
 - Other Synchronisations: Class 2.

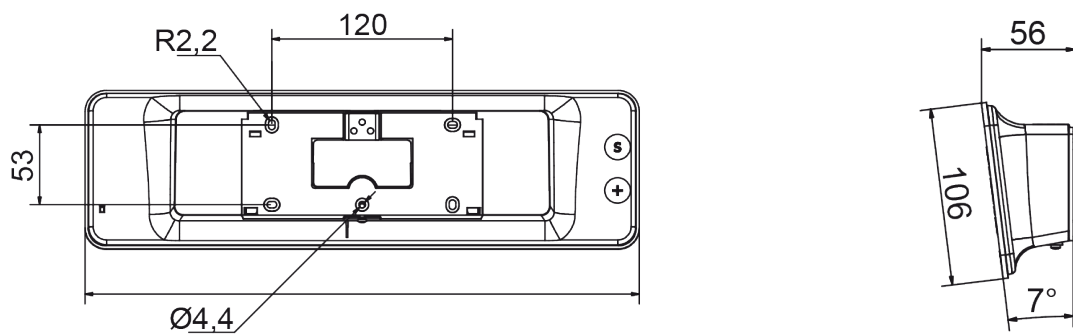
STYLE 5S REFERENCES (BY SYNCHRONISATION)

- **946 21x**..... Independent model
 - **946 22x**..... Impulse model
 - **946 23x**..... DCF model
 - **946 24x**..... DHF model
 - **946 25x**..... AFNOR model
 - **946 27x**..... NTP/ETH model
 - **946 28x**..... NTP/Wi-Fi model
 - **946 001**..... Double sided hanging bracket
 - **946 002**..... Single sided hanging bracket
 - **936 400**..... Timer control unit BT Chrono HH-MM
- Specify the LED colour by replacing the "x" in the reference number by: 1: red - 2: green - 3: yellow - 4: blue - 5: white



WALL MOUNTING

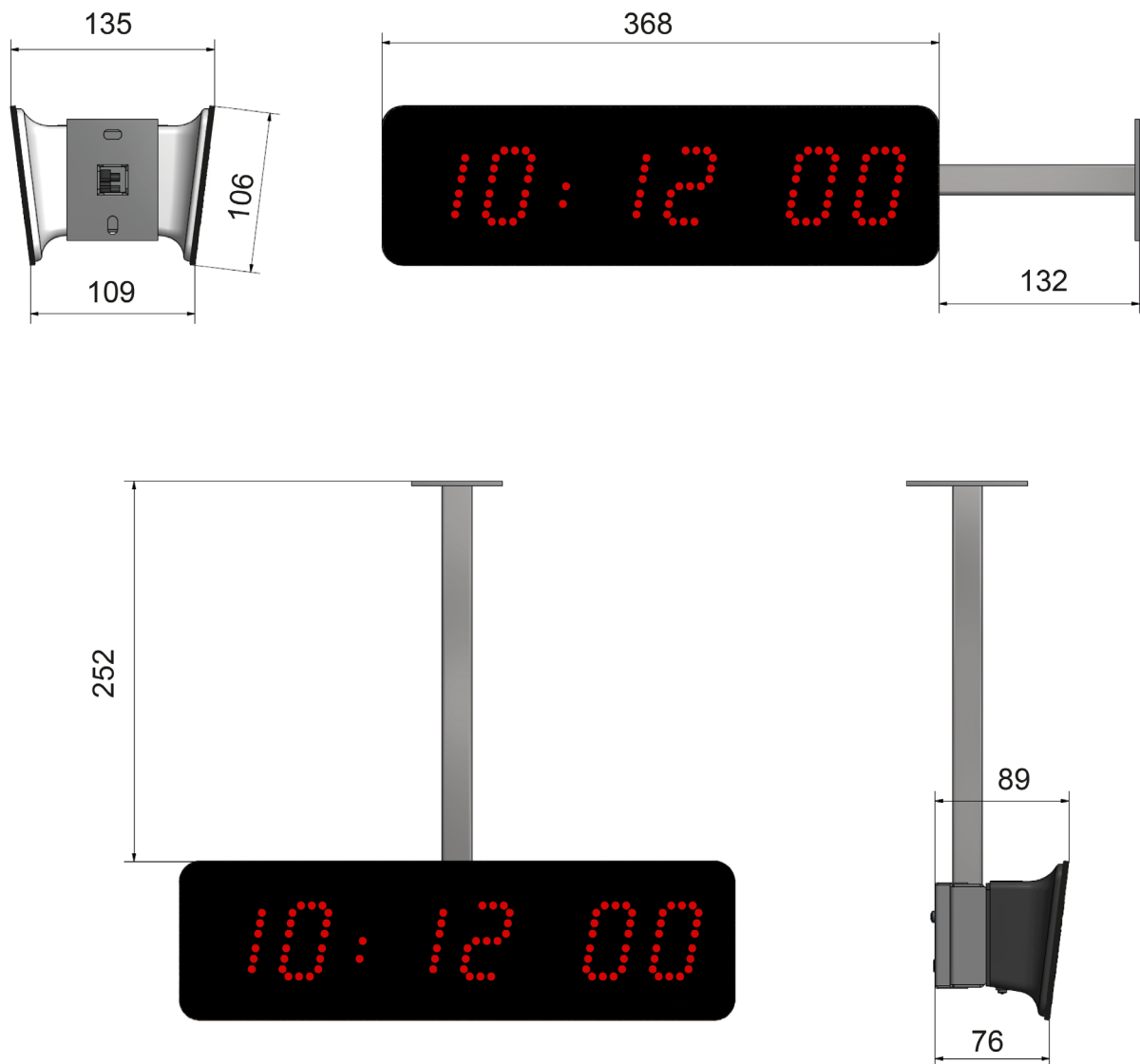
Dimensions in mm



MOUNTING ON HANGING BRACKET

Dimensions in mm

- The hanging bracket makes possible to hang the clock from the ceiling or from the wall.
- Construction: Steel.
- Colour: Black.



DESCRIPTION

- Style 5S flush mount digital clock having the same electronics and the same operation than the normal version except for the temperature. However the mechanics are different to allow for recess mounting in a wall.
- LED colours: red.
- Models: independent, impulse, wireless DHF*, AFNOR and NTP/ETH.

FLUSH MOUNT VERSION



GENERAL FEATURES

- Same as Style 5S normal version (see page 1)

MECHANICAL FEATURES

- **Construction**..... Black steel (IP30, IK02) and PMMA (poly methyl methacrylate) cristal.
- **Operating temperature range**..... 0 to +50°C.
- **Weight**..... 0.860 kg (NTP : 0.835 kg).
- **Dimensions**..... See next page.

ELECTRICAL FEATURES

- Same as Style 5S normal version (see page 1)

REFERENCES STYLE FLUSH 5S (BY SYNCHRONISATION)

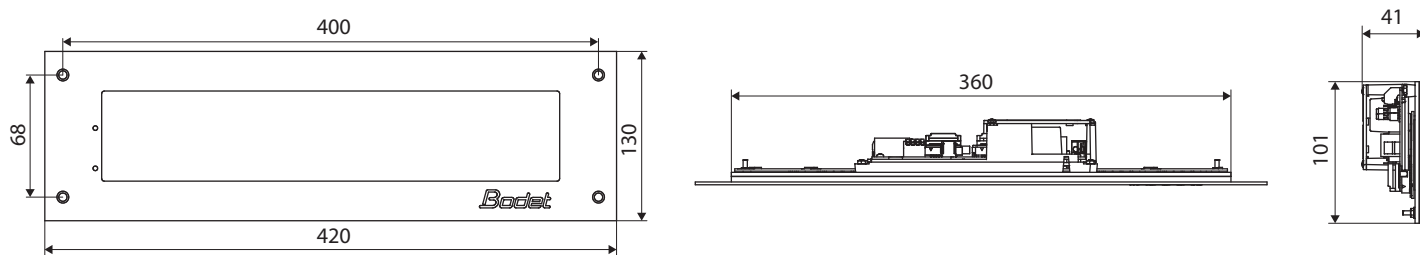
- 946 211 F..... Independent model
- 946 221 F..... Impulse model
- 946 241 F..... DHF model*
- 946 251 F..... AFNOR model
- 946 271 F..... NTP/ETH model
- 946 012..... Back cover for flush mounting

* Flush mounting is possible but not in metallic partition or equivalent which would perturb the reception of radio signal.

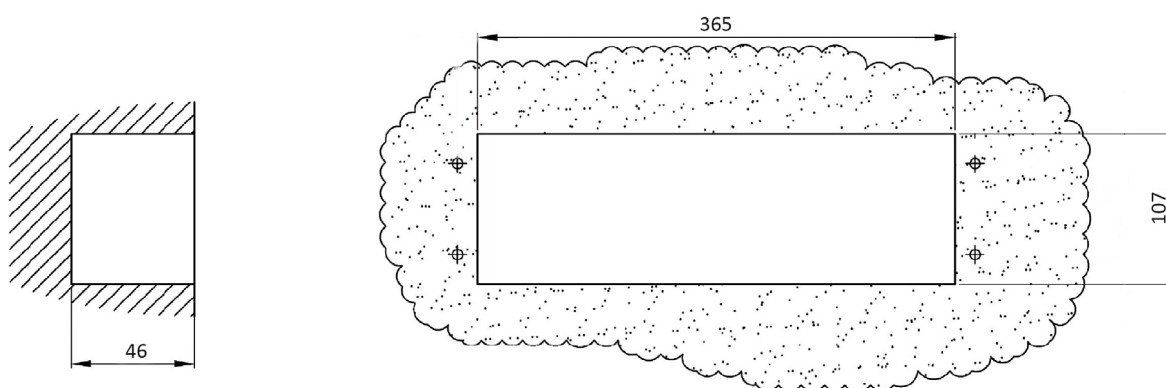
DIMENSIONS

Dimensions in mm

Clock



Size



Flush mounting back cover

